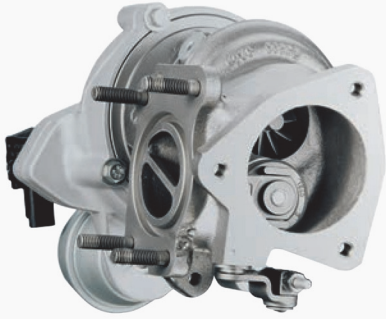
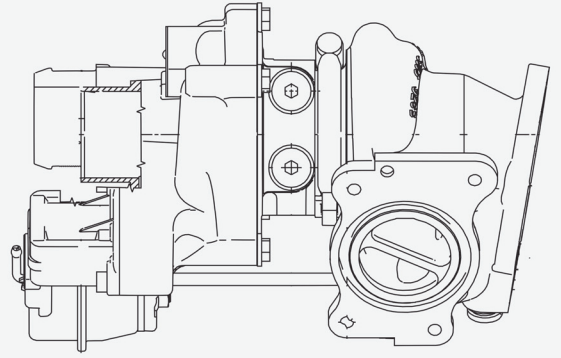


# K03-2080

Mini Upgrade



## TURBO FRAME DIMENSIONS



### FEATURES

- High temperature alloy turbine housing
- Extended tip compressor wheel
- Twin scroll turbine housing
- Water cooled bearing housing

Turbo Part #	Comp. Wheel O.D. (mm)	Comp Wheel Inducer Dia. (in)	Comp Wheel Inducer Dia. (mm)	Turbine Wheel O.D. (in)	Turbine Wheel O.D. (mm)	Turbine Wheel Exducer (in)	Turbine Wheel Exducer (mm)	Turbo Area	Cartridge Assembly	Service Kit
<b>5303 988 0146</b>	51.00	1.61	41	1.77	45	1.58	40.3	4 cm <sup>2</sup>	-	-

Manufacturer	Year	Engine	Stock Turbo	Stock Turbo	Upgrade HP	Upgrade Turbo Part #	Model Spec	Remarks
Mini	From 2006	EP6 DTS	5303 988 0163	215	255	<b>5303 988 0146</b>	K03-2080	Twin Scroll Turbine Housing



MINI COOPER