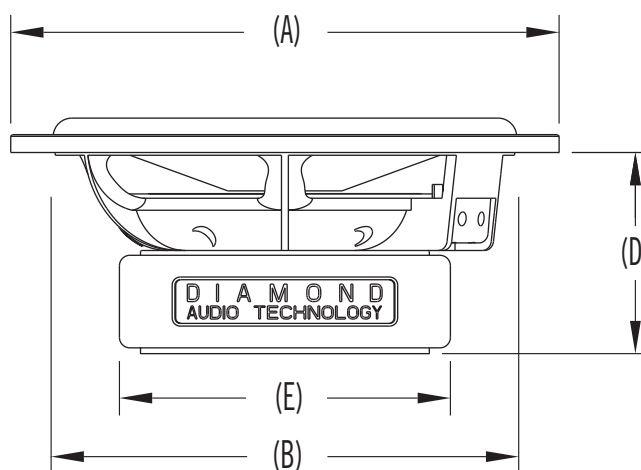
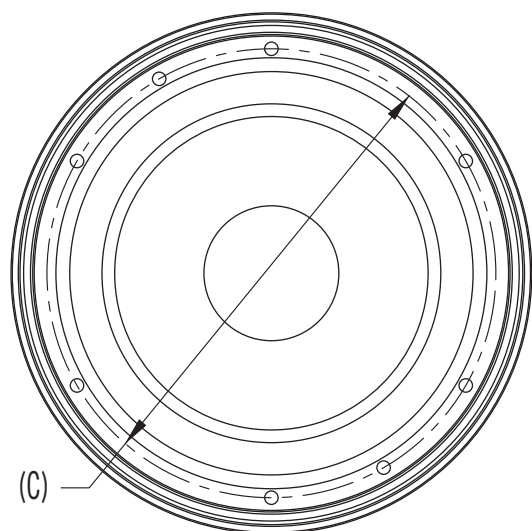


Product Tech Sheet

PHYSICAL DIMENSIONS

Model (inches)	S400	S500	S600	S6.0mx3	S.0ta/s
Total Diameter (A)	5	5.61	6.3	6.3	2.25
Mounting Diameter (B)	4.15	4.88	5.35	5.4	1.87
Screw Hole Diameter (C)	4.49	5.24	5.91	5.9	n/a
Mounting Depth (D)	1.76	2.03	2.3	2.4	0.55
Magnet Diameter (E)	3.05	3.54	3.8	3.8	n/a



THIELE/SMALL PARAMETERS

Parameter (unit)	S400	S500	S600/6.0mx3	S.0ta	S.0ts
Sensitivity - 2.83V@1m (dB)	90	91	91	92	91
Qts	0.35	0.37	0.49	0.54	0.65
Fs (Hz)	70	60	51	1650	1520
Vas (L)	8	8.5	25.3	n/a	n/a
Re (ohm)	3.3	3.2	3.4	7	6.5
Xmax (mm)	3.5	3.5	4	n/a	n/a
Impedance (ohm)	4	4	4	8	8
Power (watts) NOM/MAX	60/120	100/200	150/300	50/100	50/100