

# ORIGINAL MINI ACCESSORIES INSTALLATION INFORMATION



## PROTECTIVE BOOTSPACE COVER



### For your own safety

MINI recommends that you only use parts and accessory products that have been tested and approved by MINI in terms of their safety, function and suitability.

### About this installation information

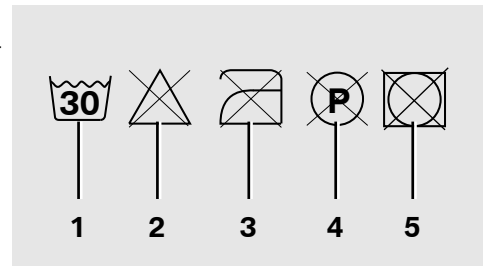
Some of the installation work for protective bootspace cover **A** and extension **B** is only shown on one side of the car. Proceed accordingly on the opposite side.

### Care instructions

Protective bootspace cover **A** and extension **B** are machine-washable up to 30 °C or must be cleaned using MINI plastic cleaner.

Please refer to the following symbols on the tag:

1. Normal wash at 30 °C.
2. Chlorine bleaching not possible.
3. Do not iron.
4. Chemical cleaning not possible.
5. Not suitable for tumble dryers.



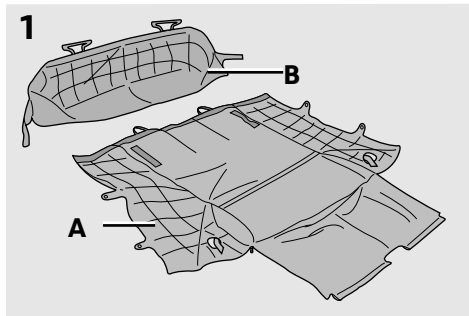
090 0084 E

Wash protective bootspace cover **A** and extension **B** separately.

Under no circumstances should you use solvents such as varnish thinners, cold cleaner or fuel.

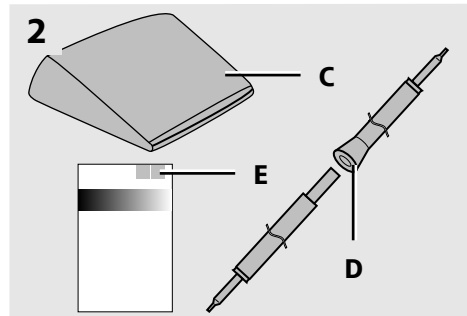
Figs. 3 – 10 Protective bootspace cover

Figs. 11 – 18 Extension of protective bootspace cover



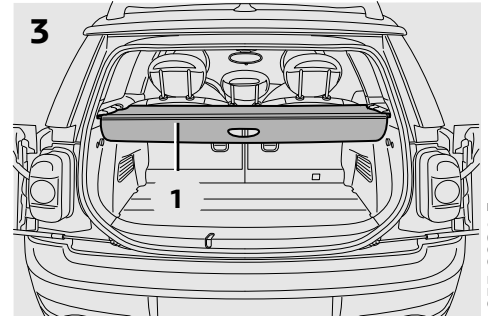
055 0020 E

**A** Protective bootspace cover  
**B** Extension



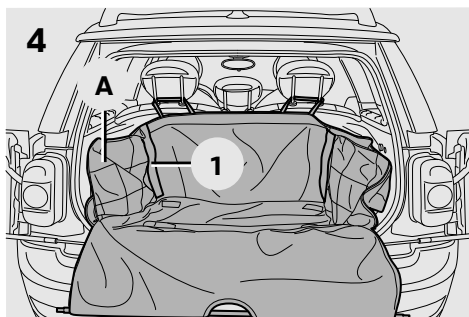
055 0026 E

**C** Bag  
**D** Rods  
**E** Installation information



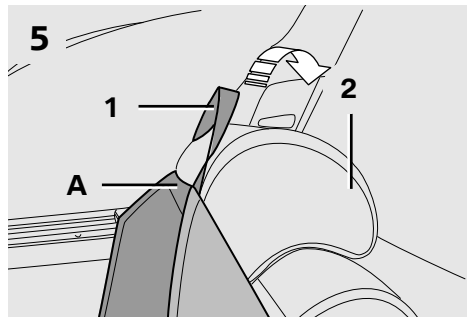
055 0021 E

Remove the combination roller blind (1).



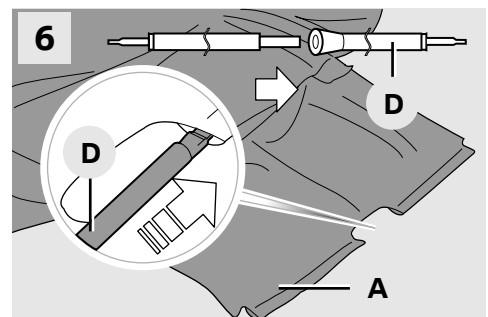
055 0023 E

Adapt protective cover **A** to the contours of the car's trim. Join the Velcro strips (1) together.



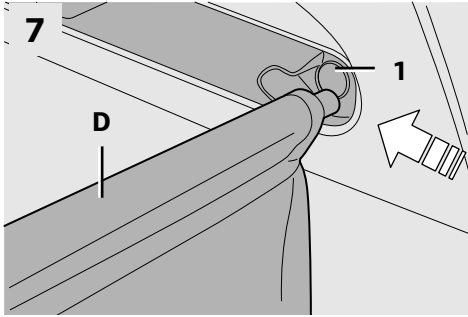
055 0037 E

Snap the rubber band (1) of the protective cover **A** from the rear seat over the headrest (2).



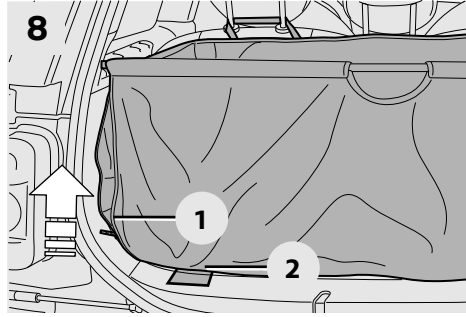
055 0038 E

Working from the middle, push rods **D** into the pockets of protective cover **A** and join them together. Make sure the thin ends are pointing towards the outside.



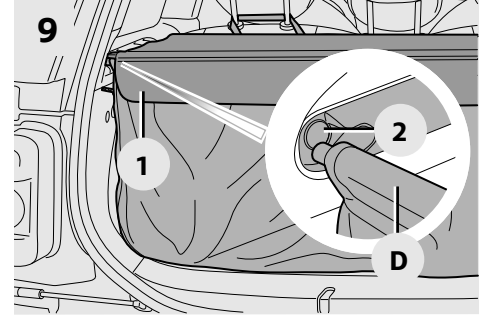
055 0024 E

Clamp rod **D** in the area (1) between the trim components.



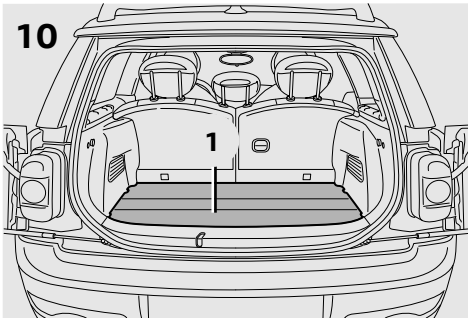
055 0025 E

Close the zip fasteners (1) at the sides. If necessary, tuck the tabs (2) under the floor of the bootspace.



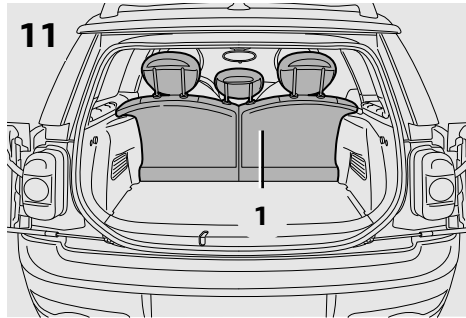
055 0034 E

If required, first insert the combination roller blind (1) and then clamp rod **D** in the area between the trim components (2).



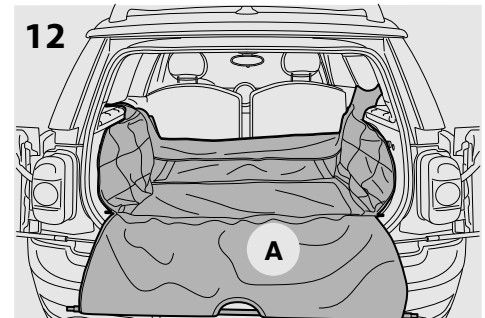
055 0028 E

Remove the floor covering (1).



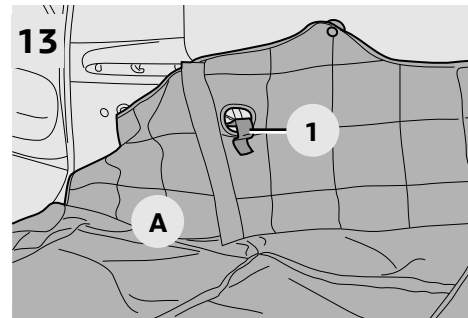
055 0029 E

Fold the rear seat backrest (1) down.



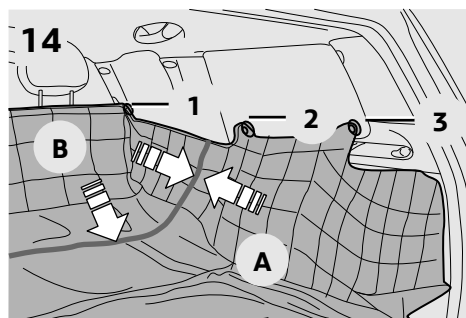
055 0030 E

Adapt protective cover **A** to the contours of the car's trim.



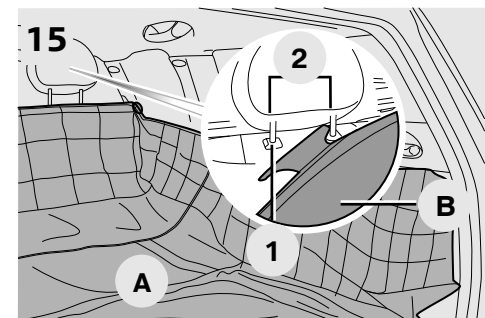
055 0033 E

Hook the hooks (1) of protective cover **A** into the openings.



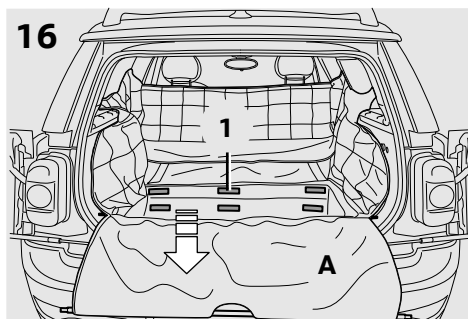
055 0032 E

Join protective cover **A** together with expansion **B** at the Velcro strips. Now press the suction cups (1, 2, 3) into the bottom corners on the side windows.



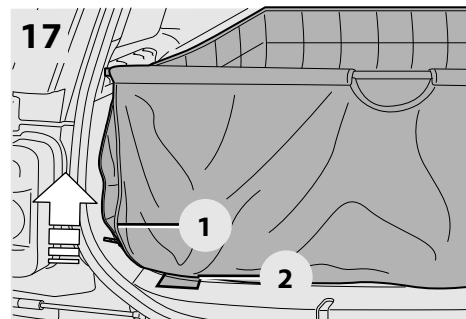
055 0022 E

Hook the reinforced tabs (1) of extension **B** in between the rods (2) of the headrests.



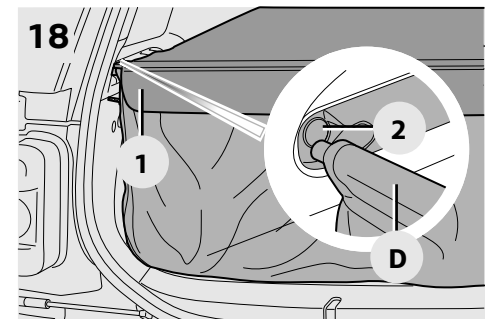
055 0031 E

Open the Velcro-type fasteners (1) and spread protective cover **A** towards the bootspace well if required.



055 0035 E

Close the zip fasteners (1) at the sides. If necessary, tuck the tabs (2) under the floor of the bootspace.



055 0036 E

If required, first insert the combination roller blind (1) and then clamp rod **D** in the area between the trim components (2).