



Version with remote control for central locking:

If necessary, disconnect negative lead from battery.



### Important!

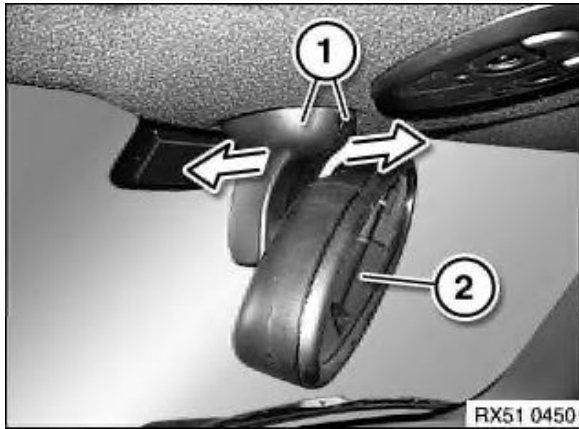
To avoid breaking windscreen:

Snap out (press) rearview mirror only in direction of travel towards windscreen.

Do not under any circumstances twist the mirror foot when removing.

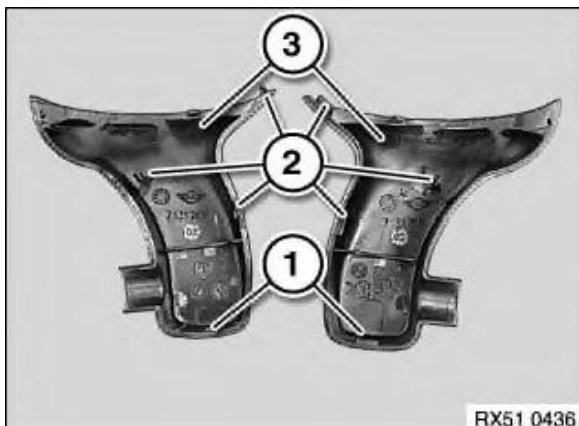
Twisting the mirror off the mirror mount will damage the rear catch.

If the rear catch is damaged, the mirror will be loose when installed and must be replaced.



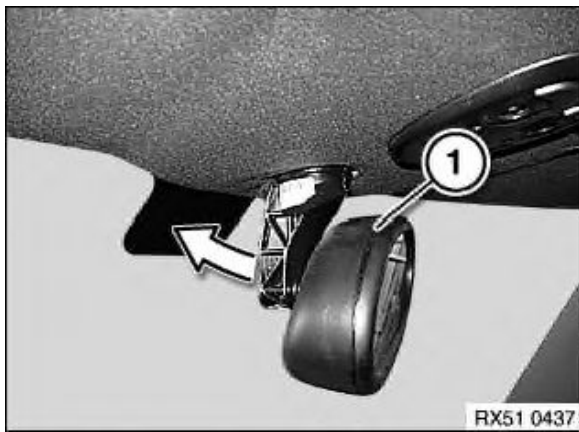
Separate end caps (1) in direction of arrow from each other.

Turn interior mirror (2) and remove end caps (1).



### Installation:

Catches (1 and 2) of end caps (3) must not be damaged, replace if necessary.

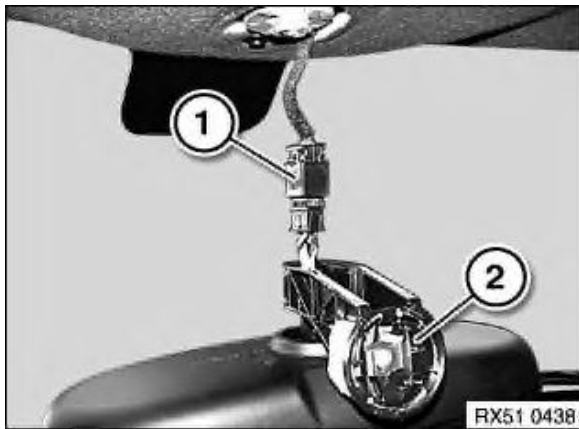


### Important!

Risk of damage!

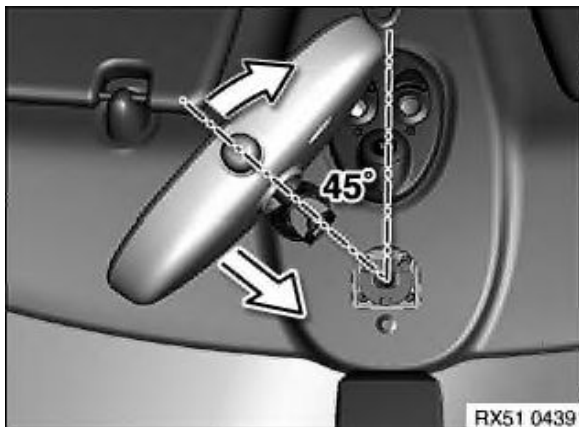
Do not snap interior mirror (1) out of mirror mount by turning.

Snap out interior mirror (1) from mirror mount towards front with increasing pressure (not abruptly) and remove.



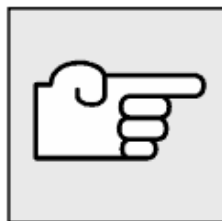
Version with cable (X):

Disconnect plug connection (1) and remove interior mirror (2).



*Installation:*

1. Twist mirror foot by approx. 45° and fit to mirror mount.
2. Turn mirror foot until it engages on mirror base.



**Only replace with version with remote control for central locking:**

Initialize all transmitters (ignition keys), refer to Owner's Handbook.