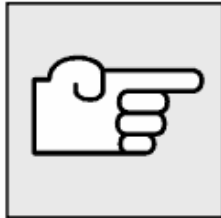
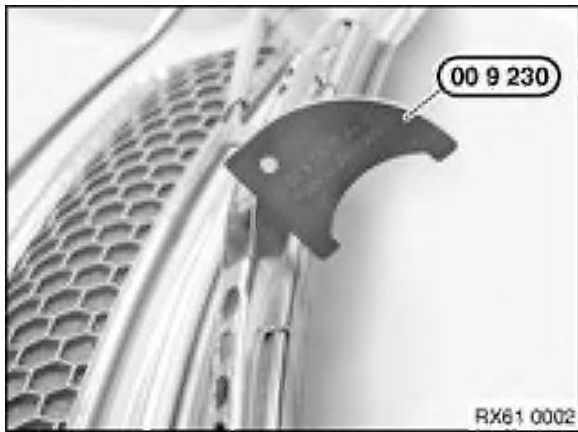
**Special tools required:**

- 00 9 220
- 00 9 230
- 61 6 100

**Note:**

Wipe quality is improved by precise adjustment of contact/approach angle of wiper arms.

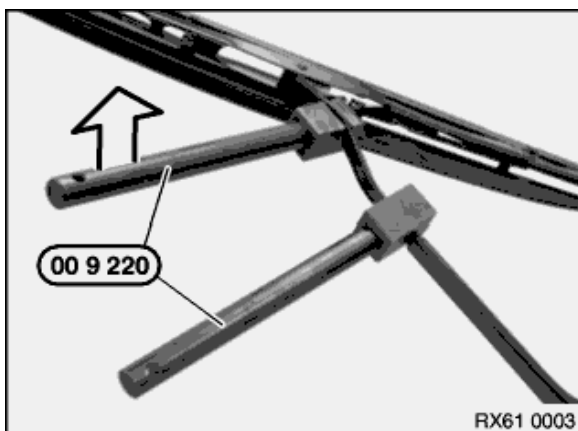
Adjustment angle can be checked with special tool 00 9 230 or 61 6 100 .

Checking with setting gauge:

Before checking approach angle, briefly lift windscreen wiper arms off windscreen.

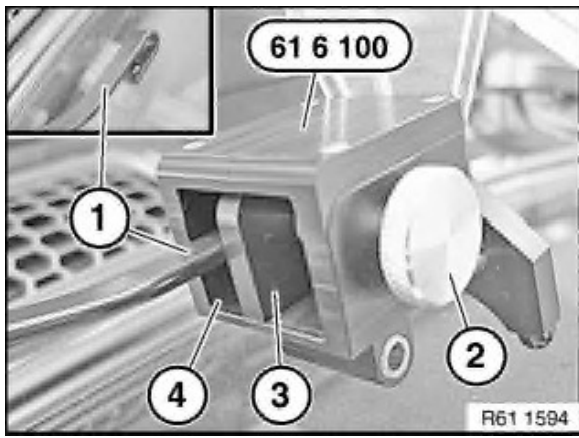
Place special tool 00 9 230 next to pivot point of wiper blade on windscreen.

Check light gap, adjust wiper arm if necessary.

**Note:**

Tape off wiper arm with fabric adhesive tape to avoid damage.

Press special tools 00 9 220 in appropriate direction until correct contact/approach angle is obtained.



Checking with angulometer:

Remove wiper blades.

Insert windscreen wiper arm (1) in angulometer 61 6 100 .

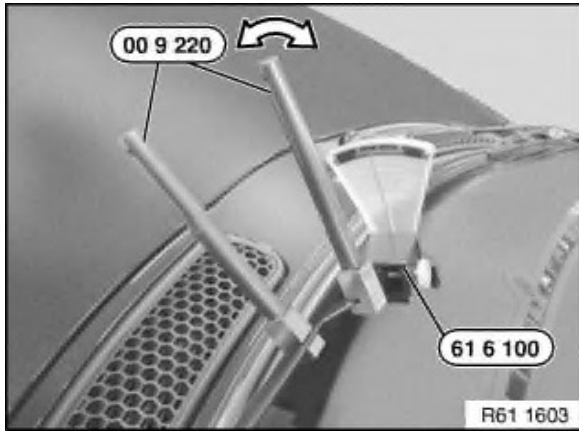
Using screw (2) and pressure plate (3), locate windscreen wiper arm (1) and position on windscreen.

Read off value in degrees, adjust wiper arm if necessary.

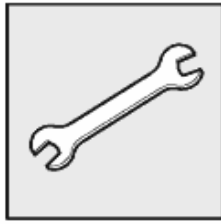
Note:

Windscreen wiper arm (1) must rest correctly on lower and side contact surfaces (4) of angulometer 61 6 100 .

On right-hand-drive cars, screw (2) must be located on left side of special tool 61 6 100.

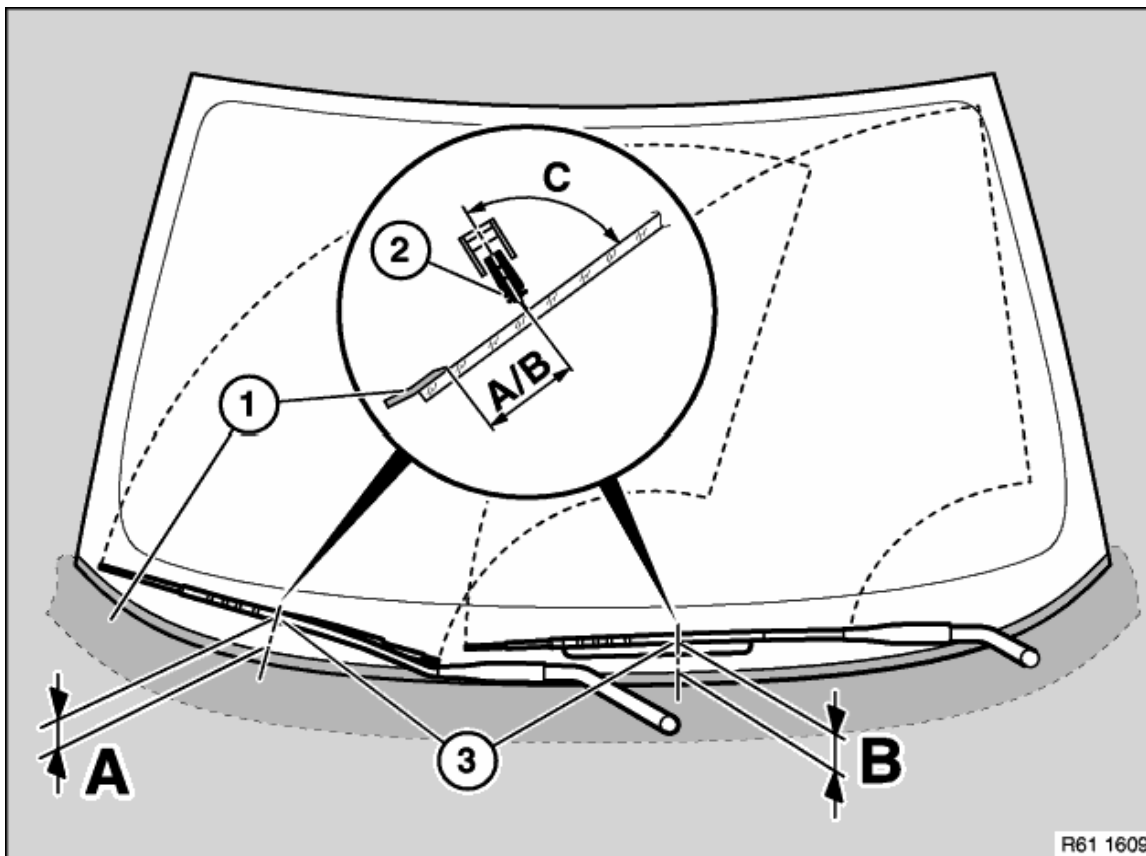


Press special tools 00 9 220 in appropriate direction until correct contact/approach angle is obtained.


Special tools required:

- 61 6 100

Correctly adjusting the contact angle of the wiper arms on the windscreen increases wiping quality. For adjustment, refer to the vehicle-specific repair instruction.



A/B = Distance between windscreen wiper blade (2) and trim panel on cowl panel (1)

Note: Measurement is taken at the height of the locators (3) for the windscreen wiper arms

C= Contact angle between wiper blade centre plane and windscreen

When adjusting with special tool 61 6 100 , set the scale value in accordance with the following table.

For RHD cars, change the preceding sign of the scale values.

- LHD cars, scale range 0 to -10
- RHD cars, scale range 0 to +10

Model	Contact angle (C) on windscreen wiper arm		Scale value (LHD) on special tool		Adjustment dimension (A, B) on windscreen wiper arm		
	Passenger side	Driver side	Passenger side	Driver side	Passenger side	Driver side	Rear end
R50/ R52/ R53	87° ±1°	87° ±1°	-3	-3	59 ± 2.5 mm	49 ± 2.5 mm	44 ± 3 mm
R55	87° ±1°	87° ±1°	-3	-3	46 ± 2.5 mm	40 ± 2.5 mm	18 mm
R56	87° ± 1°	87° ± 1°	-3	-3	46 ± 2.5 mm	40 ± 2.5 mm	38 mm